

RELAY MOUNTING BASE RRB

Smoke Alarm Relay Mounting Base

INSTALLATION INSTRUCTIONS



PLEASE NOTE:

READ ALL INSTRUCTIONS BEFORE INSTALLATION. NO USER SERVICEABLE PARTS INSIDE THIS SMOKE ALARM.

Specifications:

Main Power Source	220-240V a.c., 50 Hz
Operating Current	≤40 mA
Temperature Range	0 °C to 45 °C
Humidity Range	5% to 95%
Terminals	Active, Neutral, E-Loop and Interconnect terminals
Hard-wire interconnect	40pcs smoke alarm in 150meters

Relay

Relay Contacts:	NO / COM / NC contacts (voltage-free)
Remote Input:	250 VAC, 2A

Red Smoke Alarm RRB is a relay base, not a smoke alarm. The RRB Smoke Alarm Relay Mounting Base is designed for use with R240 and R240RC smoke alarms.

- Not compatible with 3rd party products, systems or fire panels.
- Not compatible with model R10 and R9.

Before Installing:

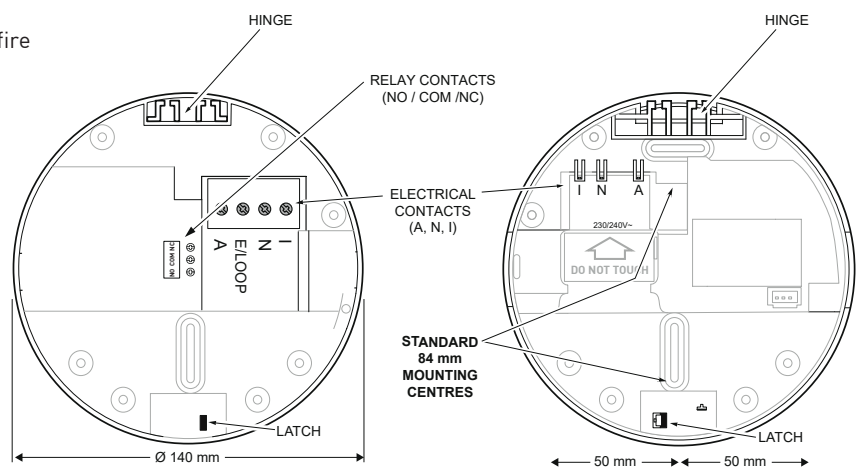
- Ensure there are no obstructions in mounting surface, such as pipes or cables.
- Use minimum cable width 1.0mm for all wiring, including interconnect wiring.
- Do not attach to damp nor freshly painted surfaces, nor to electrically conductive (e.g. metallic surfaces.)
- Smoke alarms must be mounted at least 300 mm from light fittings or other obstructions

⚠ IMPORTANT

EQUIPMENT INSTALLATION HAZARD

- Only install indoors.
- All interconnected smoke alarms (max 40) must be supplied from the same interconnection. A common Neutral must be used for the interconnect to operate.
- DO NOT connect the interconnect wire to Active or Neutral.

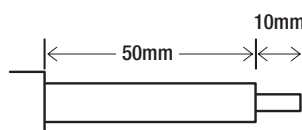
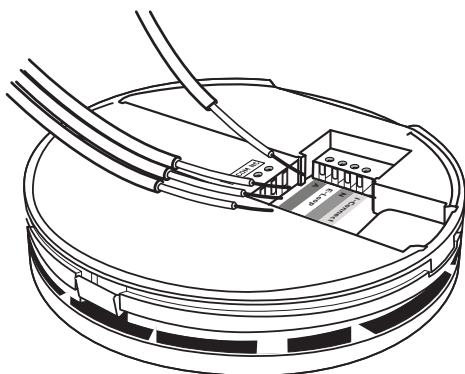
WARNING: Failure to follow these instructions may result in equipment damage or injury.



Installation & Interconnecting Smoke Alarms:

1. Strip the Active/Neutral and Interconnect (if used) wires back to the strip length shown in below.
2. Connect the wires to the correct terminals on the base and ensure the terminal screws are fully tightened.
3. Screw the mounting base onto the ceiling or wall using plugs and screws.
4. Clip the smoke alarm on to the base and install the 9V battery. The smoke alarm will not latch to the base unless battery is installed.
5. Turn on the mains power and check that the green and red LEDs function. The Green LED should illuminate to show mains power present. The Red LED will pulse every 40-60 seconds to indicate correct operation and that the 9V battery is charged.
6. Press the Test/Hush button for 3 seconds to check the alarm works.
7. Installation is not complete until both LEDs are functioning correctly.

Use a minimum of 1.0 mm² 250V insulated wire for all wiring, including interconnecting wiring.



⚠ IMPORTANT

EQUIPMENT INSTALLATION HAZARD

- All interconnected smoke alarms must be supplied from the same circuit.
- A common Neutral must be used for the Interconnect to operate.
- DO NOT connect the Interconnect wire to Active or Neutral.
- Maximum of 40 interconnected smoke alarms.
- Only Red smoke alarms can be interconnected.

WARNING: Failure to follow these instructions may result in equipment damage or injury.

⚠ CAUTION

- Red LED flashes very quickly (3 times per second) without sound. That means neutral connection is bad or wiring is incorrect.
- Please check wiring and connection of smoke alarms with flashing red LED and rectify wiring issue immediately.

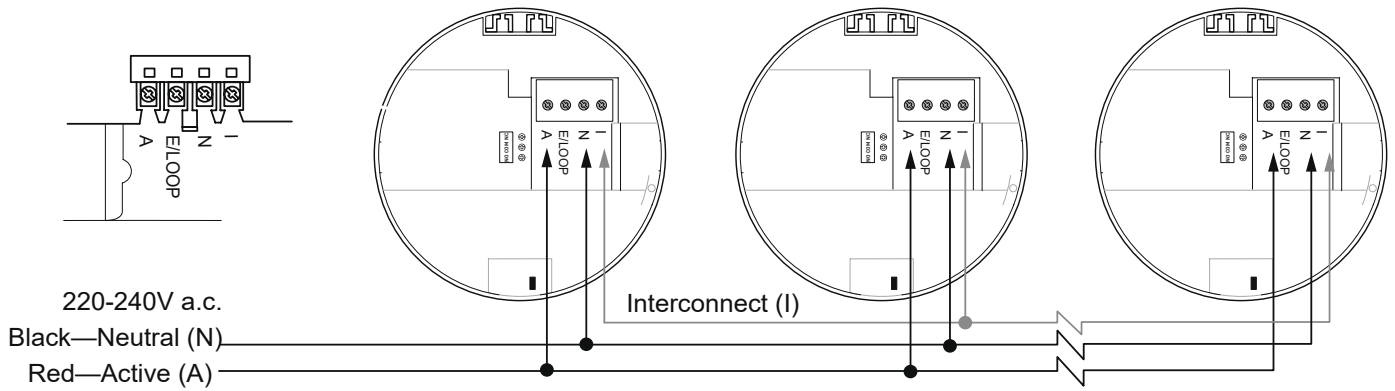
TERMINAL

A:	Active / Line
E/LOOP:	Earth or Loop
N:	Neutral
I:	Interconnect

NOTICE - EQUIPMENT INSTALLATION COMPLIANCE

This smoke alarm must be installed in accordance with Australian Code and standards and any local state legislation requirements. Failure to follow these instructions may result in a non-compliant installation.

Interconnect Diagram



Relay Installation and Operation

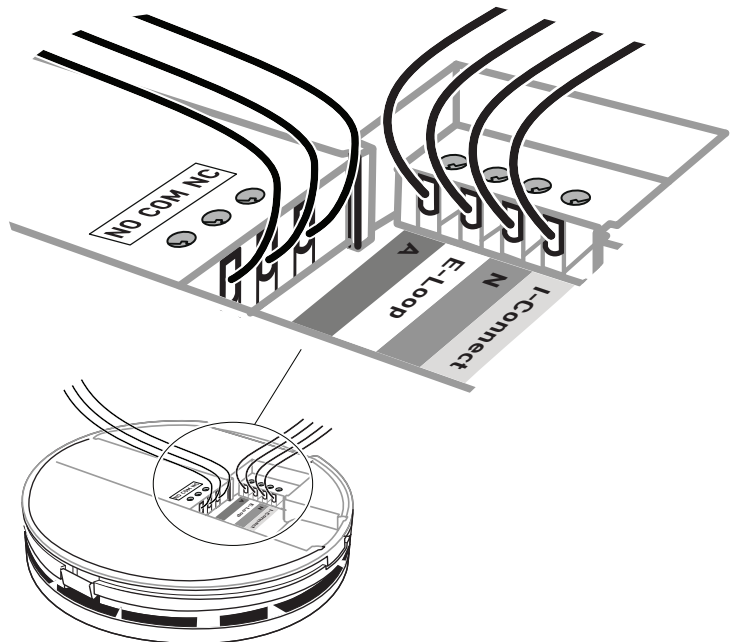
When the smoke alarm is triggered, the relay on the relay base will operate accordingly when mains or backup battery power is applied.

The relay mounting base provides terminals for connecting auxiliary devices. These terminals are labelled:

- NO (Normally Open)
- COM (Common)
- NC (Normally Closed).

See diagram on the left.

- Wiring capacity of each terminal: $2 \times 1.5 \text{ mm}^2$ cables.
- Terminal screws: All terminal screws are combination screw head type.
- The relay terminal connections are voltage-free and segregated from the mains supply terminal connections with a physical barrier.
- RELAY RATING: 250V a.c., 2 A



Warranty:

Red smoke alarms have a service life of 10 years under normal use. Australian Standards stipulate that smoke alarms must be replaced when the alarm reaches 10 years of age from the manufacture date. Red Smoke Alarms warrants this product to be free from defects in materials and workmanship for a period of ten (10) years from the manufacture date of the alarm. This ten (10) year warranty applies to the first purchaser only – for subsequent purchasers, the warranty is five (5) years from the manufacture date.

red SMOKE ALARMS



RED SMOKE ALARMS PTY. LTD.
PO Box 9596
PACIFIC PARADISE QLD 4564
service@redsmokealarms.com.au
www.redsmokealarms.com.au
1300 316 552



Red Smoke Alarms reserves the right to change specifications, modify designs and discontinue items without incurring obligation and whilst every effort is made to ensure that descriptions, specifications and other information in this catalogue are correct, no warranty is given in respect thereof and the company shall not be liable for any error therein.

© Red Smoke Alarms 2020

This material copyright under Australian and international laws. Except as permitted under the relevant law, no part of this work may be reproduced by any process without prior written permission of and acknowledgment to Red Smoke Alarms.

MNPRGRFB175A0TT