

SMOKE ALARM R9

Photoelectric Smoke Alarm with 9V Battery & Test Button

INSTALLATION INSTRUCTIONS



PLEASE NOTE: READ ALL INSTRUCTIONS BEFORE INSTALLATION. NO USER SERVICEABLE PARTS INSIDE THIS SMOKE ALARM.

Specifications:



Main Power Source	9V Battery
Sensing Type	Type A Photoelectric smoke alarm - contains NO radioactive material
Sensitivity to smoke	0.08-0.2db/m
Operation Current	<20mA operation (In Alarm)
Temperature Range	0°C to 40°C
Humidity Range	10% to 90%
Sound Level Alarm	85dB at three metres minimum
Condition Visual	Audible signal pattern (ISO 8201)
Indicators	Red LED for warning and low battery indication
Approval	AS 3786:2014, UL S36341

Features:

- DC operated photoelectric type smoke alarm
- Photoelectric sensor for slow smouldering fires
- Test & Hush button
- Environmentally friendly non-radioactive technology High and stable sensitivity
- Quick fix mounting bracket for easy installation
- Extra loud alarm sound over 85 dB
- Low-battery and battery missing warning indicators
- Auto reset when smoke clears

IMPORTANT: This manual contains important information about the installation and operation of your smoke alarm. Please read carefully before installation and keep for future reference. Please ensure that this leaflet remains in the household where the alarm is installed.

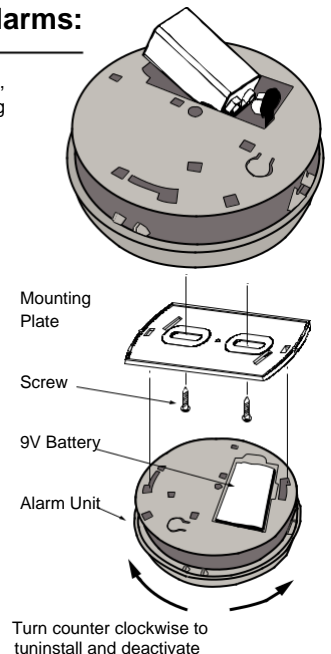
WARNING: This smoke alarm is designed to alert you to the presence of smoke. It cannot prevent a fire. There are hazards involved which smoke alarms may not be effective against, such as smoking in bed, explosions, etc. The ultimate responsibility for fire protection rests with you, this responsibility includes escape planning, safety checks and an effective warning system. In case of fire, a well-placed, properly looked after smoke alarm may provide a few vital seconds so that you can escape and call the fire brigade.

IMPORTANT SAFETY INFORMATION

1. The battery must be operational for correct alarm function. To test the battery, press the test button on this smoke alarm.
2. The test button accurately tests all smoke alarm functions. DO NOT use any other test method.
3. DO NOT remove or disconnect battery to silence unwanted alarms, this will remove your protection. Press hush button or open windows to ventilate the smoke alarm to silence it.
4. This smoke alarm is designed to be used inside a single dwelling only. In buildings with several dwellings/units, each individual living unit should have its own smoke alarms. DO NOT install in non-residential buildings.
5. Install a smoke alarm on every level of the home.
6. Smoke alarms can only sound their alarms when they detect smoke. Smoke alarms detect combustion particles in the air. They do not sense heat, flame or gas. This smoke alarm is designed to give an audible warning of a developing fire; however, many fires are fast burning, explosive or intentional, others are caused by carelessness or safety hazards. Smoke may not reach the smoke alarm quickly enough to ensure safe escape.
7. Smoke alarms have limitations, this smoke alarm is not foolproof and is not warranted to protect lives or property from fire. Smoke alarms are not a substitute for insurance and homeowners and renters should insure their lives and property. In addition, it is possible for the smoke alarm to fail at any time, for this reason, you must test the smoke alarm weekly and replace every 10 years.

Installation of Smoke Alarms:

1. From the back of the smoke alarm, remove the mounting plate by turning it counter clockwise.
2. Secure plate to ceiling or wall with mounting screws appropriate to the surface on which the unit is to be mounted.
3. Connect new 9-volt battery to battery connector inside battery pocket. Be sure battery is securely connected. The red LED may blink briefly when battery is installed.
4. Position smoke alarm to mounting plate and turn clockwise to lock into place.
5. Push test button to test smoke alarm. See OPERATION, TESTING



Locating and Positioning of Smoke Alarms:

This smoke alarm is a single station photoelectric alarm and should NOT be connected to other smoke alarms.

If your dwelling is on a single storey, for minimum protection you should fit an alarm in the hallway between the living areas (incl. Kitchens) and sleeping areas. Place it as near to the living areas as possible and ensure the alarm is audible when the bedrooms are occupied.

If your dwelling is multi-storey, for minimum protection one alarm should be fitted at the bottom of the staircase with further alarms fitted on each upstairs landing. This includes basements but excludes crawl spaces and unfinished attics.

NOTE: For maximum protection, an alarm should be fitted in every room (except kitchen, bathroom, and garage).

DO NOT FIT AN ALARM IN THE KITCHEN or BATHROOM, as cooking fumes or steam may trigger the alarm.

DO NOT FIT ALARM IN A GARAGE, as exhaust fumes are likely to set it off.

Ceiling Mounting

As hot smoke rises and spread out, it is advisable to mount on a ceiling in a central position. Avoid areas where there is no air circulation. E.g., Corners of rooms and keep away from items which may prevent the free flow of air. Place the unit at least 300mm from and light fitting or decorative object which might obstruct smoke / heat entering the alarm. Keep at least 300mm away from walls. See Figure 3i

Wall Mounting

Do not mount tight into the corners. Put the top edge of your smoke alarm 300mm below the ceiling. Keep at least 300mm from room corners. See Figure 3i

On a Sloping Ceiling

In areas with sloping or peaked ceilings install your Smoke Alarm 900mm from the highest point measured horizontally because "dead air" at the apex may prevent smoke from reaching the unit. See Figure 3ii.

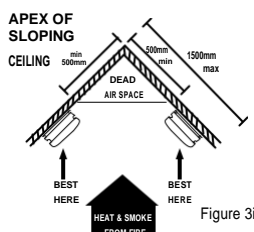


Figure 3ii

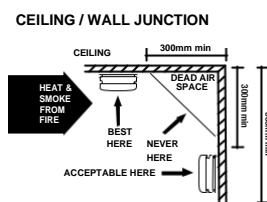
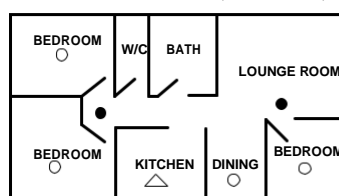
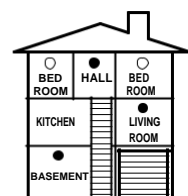


Figure 3i

SINGLE-STOREY RESIDENCE, APARTMENT, MOBILE HOME



MULTI-STOREY RESIDENCE



- Smoke alarms for minimum protection. ▲ Smoke alarms with hush features recommended
- Smoke alarms for additional protection. △ for additional protection

Areas to be avoided include the following:

- Situations where the temperature may fall below 0 °C or rise above 40 °C
- Humid areas such as bathrooms, kitchens, shower rooms where the relative humidity may exceed 90%
- Near a decorative object, door, light fitting, window moulding etc., that may prevent smoke or heat from entering the alarm.
- Fume filled environments such as garages. Exhaust gases may cause false alarms.
- Adjacent to or directly above hot components such as radiators or wall vents that can affect the direction of air currents.
- In very dusty or dirty environments such as workshops.
- Locate unit at least 1.5m and route wiring at least 1m away from fluorescent light fittings as electrical "noise" and/or flickering may affect the unit.
Do not wire into the same circuit as fluorescent lights or dimmers.
- Do not locate in insect infested areas. Insects and contamination on the Smoke Alarm unit sensor can increase its response time.

Hush or Silence Feature

- This smoke alarm has a built-in Hush or Silence feature incorporated into the Test/Hush button.
- If cooking or other non-hazardous sources cause the alarm to sound, it can be temporarily silenced by pressing the Test/Hush button for 3 seconds.
- The alarm then enters a dormant period for 10 minutes. The red LED will flash every 10 seconds to indicate the sensitivity is reduced.
- After the 10 minute dormant period, the alarm will give two short beeps, and the alarm will resume normal operation.

NOTE: After the Test/Hush button has been pressed, wait 10 minutes before any additional testing is conducted to avoid any abnormal responses as the smoke alarm is not sensitive to smoke during this period.

NOTE: If a nuisance alarm occurs and if there is no sign of smoke, heat, or noise to suggest a fire you should get your family to a safe place before investigating. Check the household carefully in case there is a small fire smouldering out of sight, or if there is another source of smoke or fumes such as cooking fumes being drawn past a smoke alarm by an extractor.

WARNING: If there are frequent nuisance alarms it may be necessary to re-locate the device away from the source of the fumes. If the alarm continues sounding nuisance alarms without smoke or heat being present; it may require some maintenance or cleaning.

Maintenance:

The smoke alarm is virtually maintenance free, however, under dusty or greasy conditions, a vacuum cleaner may be used to clean the exterior of unit (including slots on cover). Normally, the alarm can be operated up to 10 years without replacement. See the replacing date on the bottom of the alarm unit.

DO NOT IMMERSE IN OR SPRAY WITH HOUSEHOLD CLEANERS.

If the unit gives a chirping sound every 60sec the battery may need to be replaced.

Warranty:

Red smoke alarms have a service life of 10 years under normal use. Australian Standards stipulate that smoke alarms must be replaced when the alarm reaches 10 years of age from the manufacture date. Red Smoke Alarms warrants this product to be free from defects in materials and workmanship for a period of ten (10) years from the manufacture date of the alarm. This ten (10) year warranty applies to the first purchaser only – for subsequent purchasers, the warranty is five (5) years from the manufacture date.

red SMOKE ALARMS



RED SMOKE ALARMS PTY. LTD.
35 Hitech Drive
KUNDA PARK QLD 4556
service@redsmokealarms.com.au
www.redsmokealarms.com.au
1300 316 552



OPERATION, TESTING AND MAINTENANCE

Operation

Normal Operation When no smoke is present, a red LED indicator will flash ONCE A MINUTE and is an indication that the unit is operating properly.

Alarm Condition

When the unit detects smoke, the red LED indicator will flash rapidly, and alarm will sound loudly until the air is clear.

Testing the Smoke Alarm

Test the smoke alarm once a month. If the smoke alarm ever fails to test correctly, have it replaced immediately! If the smoke alarm is not working properly, it cannot alert you to a problem.

1. Test each smoke alarm to be sure it is installed correctly and operating properly.
2. The push-to-test button accurately tests functions. DO NOT use an open flame to test this smoke alarm. You may ignite and damage the smoke alarm or your home.
3. Stand at arm's length from the smoke alarm when testing.
4. To test the smoke alarm, firmly press the test button, and the alarm will sound a loud beep. The alarm will stop sounding after releasing the test button. If the alarm does not sound, please re-test the alarm.

WARNING: If the alarm sounds and the smoke alarm is not being tested, the smoke alarm is sensing smoke. The sound of the alarm requires your immediate attention and action.

WARNING: DO NOT disconnect battery to silence an unwanted alarm. This will remove your protection. Ventilate the unit or open a window to remove smoke or dust.

Battery & Battery Replacement:

The power of this smoke alarm is provided by one 9V DC battery. The battery should last for at least 1 year under normal operating conditions. The smoke alarm has a low battery indicator, an audible 'chirp'. It will operate at 30-40 second intervals for a minimum of 7 days. Replace the battery when this indication occurs. Only the following 9V DC batteries (which are available at hardware or electronic parts stores) may be used for replacement.

This smoke alarm is powered by a 9V-DC. carbon zinc or alkaline battery. The battery should last at least one year under normal operating conditions. Recommended battery included: Energiser 522

WARNING: DO NOT use any other type of battery, other than as specified in this manual. DO NOT use rechargeable batteries.

⚠ IMPORTANT

The operation of the smoke alarm must test with the test facility whenever the batteries are replaced.

⚠ CAUTION

- Switch off smoke alarm before removing smoke alarm for battery replacement.
- If the battery is incorrectly replaced, the smoke alarm will not operate and may cause damage.

Red Smoke Alarms reserves the right to change specifications, modify designs and discontinue items without incurring obligation and whilst every effort is made to ensure that descriptions, specifications and other information in this catalogue are correct, no warranty is given in respect thereof and the company shall not be liable for any error therein.

© Red Smoke Alarms 2021

This material copyright under Australian and international laws. Except as permitted under the relevant law, no part of this work may be reproduced by any process without prior written permission of and acknowledgment to Red Smoke Alarms.